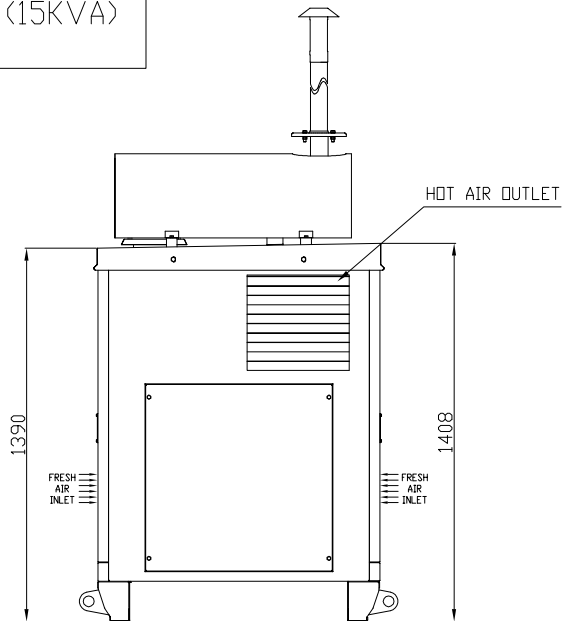
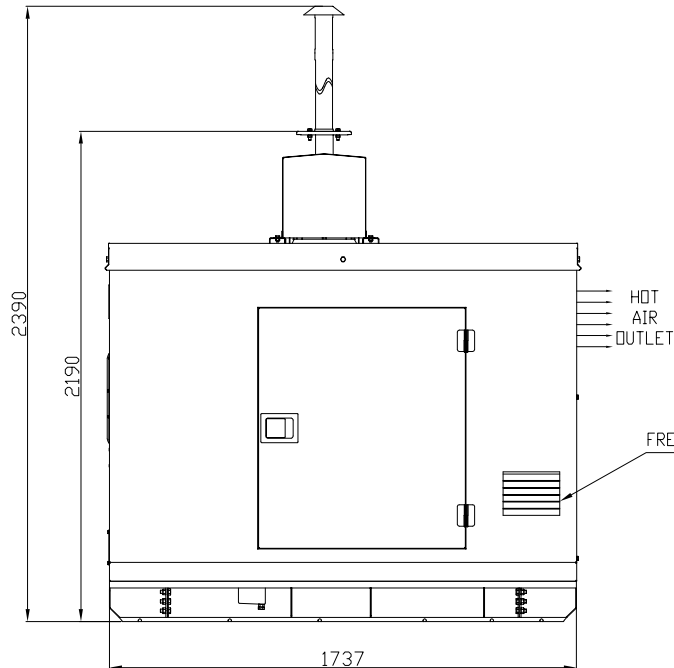


HA294 (15KVA)

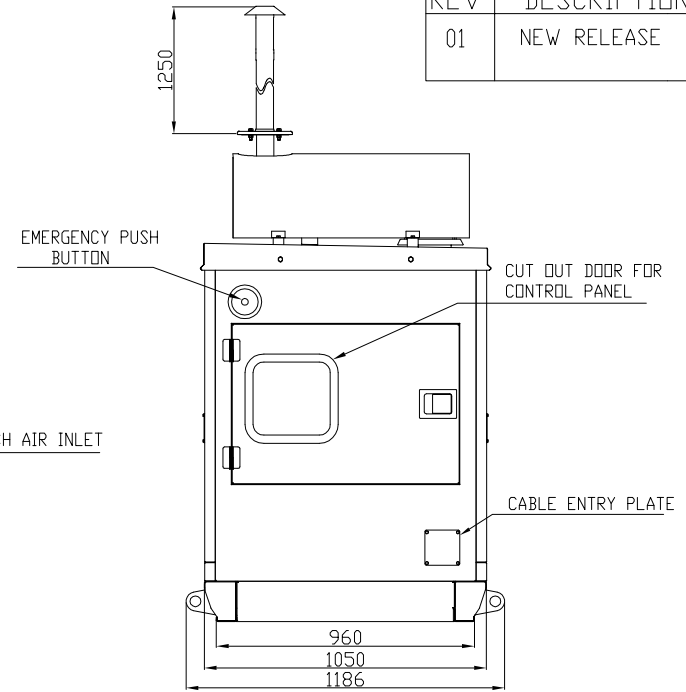
REV	DESCRIPTION
01	NEW RELEASE



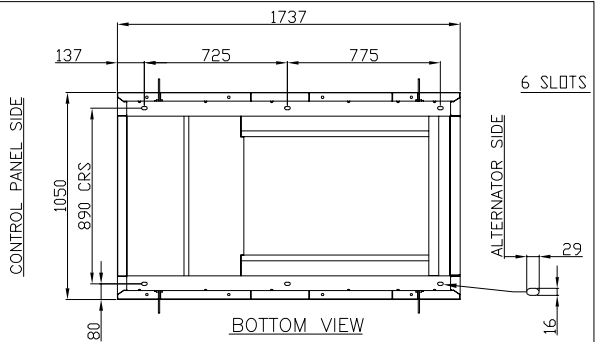
VIEW FROM ALTERNATOR END



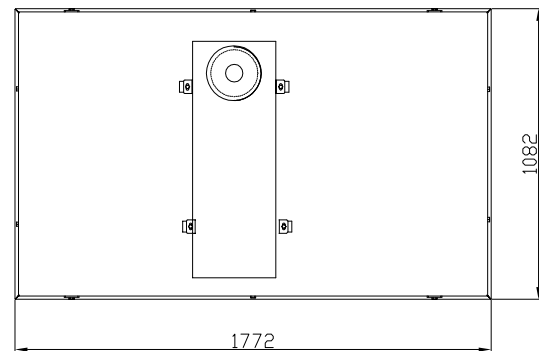
VIEW FROM STARTER SIDE



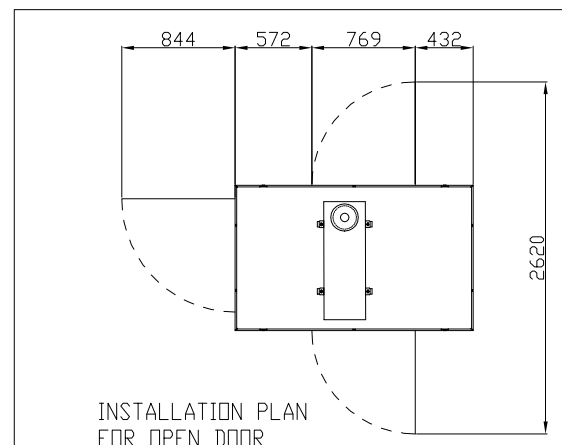
VIEW FROM GEAR END



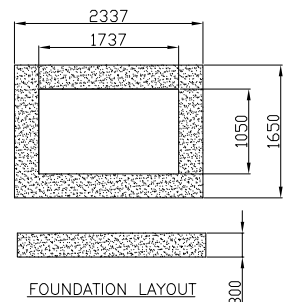
BOTTOM VIEW



VIEW FROM TOP



INSTALLATION PLAN FOR OPEN DOOR



FOUNDATION LAYOUT

- NOTES:**
1. FUEL TANK CAPACITY: 65 LITRES.
  2. HEIGHT OF FOUNDATION ABOVE FFL CAN BE MODIFIED DEPENDING UPON WATER STAGNATION.
  3. DEPTH BELOW FFL DEPEND UPON THE SOIL CONDITION AT SITE.
  4. APPROX DEPTH BELOW FFL= 500MM.
  5. PCC OR RCC SHALL BE BASED ON SOIL CONDITION.
  6. LENGTH OF GENSET = 1737 MM (5.69ft).
  7. WIDTH OF GENSET = 1186 MM (3.90ft).
  8. HEIGHT OF GENSET = 2390 MM (7.84 ft)

IF IN DOUBT ASK  
 PRINTS OF PREVIOUS REVISION NO. SHOULD BE SCRAPPED  
 THIS DRAWING IS PROPERTY OF SUNBEAM GENERATORS PVT LTD. AND MUST BE RETURNED ON REQUEST. IT IS SUBMITTED AS CONFIDENTIAL INFORMATION WITH OUR ENGINEER, TENDER, ORDER OR CONTRACT NO. IT IS NOT TO BE ISSUED FOR ANY OTHER PURPOSE OR ORDER AND MAY BE COPIED OR LENT WITHOUT OUR AUTHORITY IN WRITING.

No.	REVISION	ZONE	MODIFIED BY	REF. No.	DATE	No.	REVISION	ZONE	MODIFIED BY	REF. No.	DATE
00	NEW RELEASE										

UNLESS OTHERWISE SPECIFIED	CAD DRG FILE-	HEAT TREATMENT --	WEIGHT (G) --	CASTING/FORGING SRG. NO.
* ALL DIMENSIONS ARE IN mm.	AS PER BOM	AS PER BOM	AS PER BOM	---
* SURFACE ROUGHNESS AS PER CO. STANDARD.				
* UNMENTIONED TOLERANCES AS PER COSTUMER'S REQUIREMENT.				
* REMOVE ALL SHARP EDGES AND SHARP EDGES.				
* DRAWING NOT TO BE SCALED.				
UNMENTIONED				
RADI				
CHAMFER				
UNDERCUT				

TITLE	SCALE	SHT. NO.	DF 1
GENSET LAYOUT	H	1	

SUNBEAM Generators Pvt Ltd, PONDICHERY	BRAWING NO.	REV. NO.
SBG/GA-FND/15KVA	00	

PRODUCED BY AN AUTODESK EDUCATIONAL PRODUCT

PRODUCED BY AN AUTODESK EDUCATIONAL PRODUCT